

Haman's Anger At Mordecai

Esther 5:1-14

MEMORY VERSE

PROVERBS 11:29

“He who troubles his own house will inherit the wind, and the fool will be the servant to the wise of heart.”

WHAT YOU WILL NEED:

One “Have a Feast” template for each child in your class, gray cardstock, glue, scissors, construction paper, glitter, sequins or small paper shapes, and assorted magazines to cut out food items.

A chalkboard and chalk (or dry erase board and dry erase markers).

A vegetable tray with dip.

ATTENTION GETTER!

Lookout!

Choose two children. One will be the “inside,” and the other will be the “outside.” Have the remainder of the children form a circle and lock arms. The “inside” child will stand in the middle of the circle. The “outside” child will be outside of the circle. The object is for the outside child to try to tag the inside child. The job for the children in the circle is to protect the inside child. You can say go and give a limited amount of time. Give other children the opportunity to be the inside and the outside child.

Today we are going to learn about a very evil man named Haman. He hated Mordecai and wanted to kill him along with all of the Israelites. But God had a plan to protect His people. The Bible says that our enemy is like a roaring lion seeking whom he may devour (1 Peter 5:8). But with God’s help and the help of our brothers and sisters we can be protected from the attack of the enemy. Compare

the game just played to this truth. The lion is the one on the outside trying to attack the one on the inside. By staying together, praying for one another, and putting on the full armor of God, we can be protected from the attacks of the enemy.

LESSON TIME!

Wicked Haman had allowed his anger to consume him. Furious that Mordecai would not bow to him, he pursued a plot to have not only Mordecai killed, but all those who worshipped his God. Haman had persuaded the king to issue a decree for the destruction of the Jewish people on a certain day. God's people were threatened with annihilation! Only days remained.

How foolish was Haman to allow his anger, hatred, and pride to govern his actions. Though he felt he would encounter little resistance from God's people, he was contending with the almighty God—the protector of Israel.

God was working behind the scenes on behalf of His people. Esther, a young Jewish girl, the cousin of Mordecai, had become queen of Persia. She was in the right place at the right time. After her, her maidens, and all the Jewish people fasted and prayed, Esther determined to come before the king, though, as an uninvited guest, she endangered her very life. If her approach was acceptable, the king would raise his golden scepter.

ESTHER 5:1-8

Now it happened on the third day that Esther put on her royal robes and stood in the inner court of the king's palace, across from the king's house, while the king sat on his royal throne in the royal house, facing the entrance of the house.

So it was, when the king saw Queen Esther standing in the court, that she found favor in his sight, and the king held out to Esther the golden scepter that was in his hand. Then Esther went near and touched the top of the scepter.

And the king said to her, "What do you wish, Queen Esther? What is your request? It shall be given to you; up to half the kingdom!"

So Esther answered, "If it pleases the king, let the king and Haman come today to the banquet that I have prepared for him."

Then the king said, "Bring Haman quickly, that he may do as Esther has said." So the king and Haman went to the banquet that Esther had prepared.

At the banquet of wine the king said to Esther, "What is your petition? It shall be granted you. What is your request, up to half the kingdom? It shall be done!"

Then Esther answered and said, "My petition and request is this:

"If I have found favor in the sight of the king, and if it pleases the king to grant my petition and fulfill my request, then let the king and Haman come to the banquet which I will prepare for them, and tomorrow I will do as the king has said."

After the three days of fasting and prayer, the time had come for Esther to go to the king. What relief she must have felt when the king held out his scepter—the sign that she was welcome to come into his presence.

The king told Esther that she could ask for anything she wanted; even up to half of his kingdom! God had given Esther a great amount of favor with the king. Esther may have thought she could ask the king for her petition right then and there, but she had a plan. She asked the king and his “right-hand man,” Haman, to come to a nice dinner in his honor. At that time, she would tell the king of her request.

King Ahasuerus had a very nice time at the banquet. He asked Esther again to voice her request. Once more she delayed; she asked that the king and Haman come back the next day for another banquet.

Have a Feast

For this craft, you will need one “Have a Feast” template for each child in your class, gray cardstock, glue, scissors, construction paper, glitter, sequins or small paper shapes, and assorted magazines to cut out food items.

Copy the platter template onto gray cardstock to resemble a silver platter. Have the children cut out the platter and use glue and construction paper, glitter, sequins or small paper shapes to decorate the platter. Allow enough space for the children to write, “God used Esther to save His people.” Next, using magazine cutouts allow the children to find food items to cut out and glue onto their platter. Have them take their platters home to remind them how that God used Esther to stop Haman’s wicked plan.

ESTHER 5:9-13

So Haman went out that day joyful and with a glad heart; but when Haman saw Mordecai in the king's gate, and that he did not stand or tremble before him, he was filled with indignation against Mordecai.

Nevertheless Haman restrained himself and went home, and he sent and called for his friends and his wife Zeresh.

Then Haman told them of his great riches, the multitude of his children, everything in which the king had promoted him, and how he had advanced him above the officials and servants of the king.

Moreover Haman said, "Besides, Queen Esther invited no one but me to come in with the king to the banquet that she prepared; and tomorrow I am again invited by her, along with the king.

"Yet all this avails me nothing, so long as I see Mordecai the Jew sitting at the king's gate."

The Bible says that Haman went out with a joyful and glad heart. He was glorying in his wealth, his possessions, and his power. He was the second most important guy—or so he thought—in the kingdom. With his great power and influence, he was even able to get the king to issue a decree to destroy those that irritated him!

But, when he left the banquet and saw Mordecai, all of his joy was immediately dissipated! He could not enjoy his power, wealth, and prestige; for there was Mordecai, the Jew, refusing to tremble (or be afraid) before him. Mordecai did not even stand up when Haman passed by. The Bible says Haman was filled with indignation. He was consumed with anger toward Mordecai.

Haman restrained himself and went home to the company of his wife and friends. Haman boasted of his importance, his power, possessions, and wealth, and even his invitation to the Queen's Banquet; then he shared his dilemma. All these things gave him no joy as long as Mordecai the Jew sat at the king's gate.

As the most important person in the kingdom of Persia, except for the king himself, Haman seemed to be on top of the world; yet he was, likely, the most miserable man in the kingdom; for consumed with hatred, he had no ability to enjoy his power, prestige, and wealth. How sad! One could seem to have everything, yet be miserable. Proverbs 13:7 states, “There is one who makes himself rich, yet has nothing; and one who makes himself poor, yet has great riches.” True riches are to be found in a right relationship with God. **Anger and hatred can destroy us.**

ESTHER 5:14

Then his wife Zeresh and all his friends said to him, "Let a gallows be made, fifty cubits high, and in the morning suggest to the king that Mordecai be hanged on it; then go merrily with the king to the banquet." And the thing pleased Haman; so he had the gallows made.

Haman's family and friends certainly did not encourage him towards righteousness. Instead, they gave him ideas on how to express his anger—a 75-foot gallows could be built in order to hang Mordecai. Perhaps, his family and friends wanted to be on Haman's good side, so they could share in his power and influence.

Warning! Be careful in choosing friends. They can encourage you to righteousness, or they can encourage you to evil. What kind of friend would encourage you on a path that would destroy you? Godly friends will correct you when you are acting wrongly. Consider these scriptures in Proverbs: “Open rebuke is better than love carefully concealed. Faithful are the wounds of a friend, but the kisses of an enemy are deceitful” (Proverbs 27:5, 6).

Haman really liked the idea his family and friends had given him! It made him feel good about himself and much better to imagine the world without Mordecai refusing to bow down to him. His sin caused him to lose all perspective. The gallows were built on his property in one night. He could not wait to get Mordecai out of his life.

Haman was so filled with hate that it led him to consider murder. In Genesis 4, we see another story about anger, jealousy, and hatred--the story of Cain and Abel. Do you remember this story? Cain became angry because God accepted Abel's sacrifice and not his own. Abel's sacrifice came from his heart and was according to God's instructions. But, Cain wanted God to accept the sacrifice made from his hands. He wanted God to be impressed with what he had done. In Genesis 4:7 the Lord said to Cain, "If you do well, will you not be accepted? And if you do not do well, sin lies at the door. And its desire is for you, but you should rule over it." How Haman needed to heed this same message; for sin certainly was crouching at his door!

It is a good thing to learn from the mistakes and bad choices of others. Let us not, as Haman, allow pride, anger, and hatred to consume us. The Bible warns us not to think more highly of ourselves than we ought to. Pride can destroy us. Bitterness, anger, and hatred can destroy us—they can assume control of our lives. If we are wronged, we must forgive (Colossians 3:13). (See, also, Ephesians 4:26,27.) We must not allow sin to crouch at our door and threaten our destruction. As Christians, we are exhorted, "Let all bitterness, wrath, anger, clamor, and evil speaking be put away from you, with all malice" (Ephesians 4:31). **Anger and hatred can destroy us.**

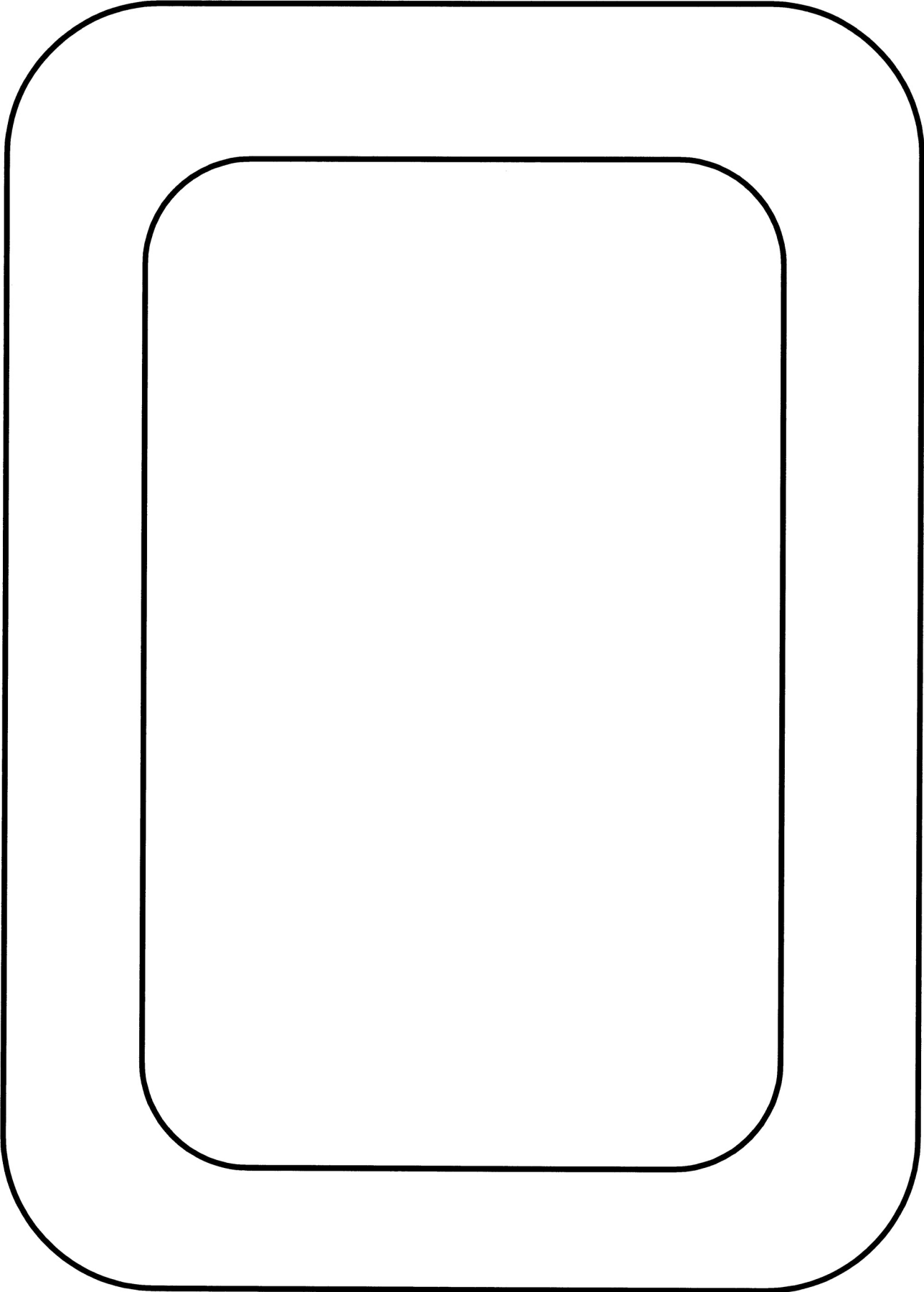
“Haman” Hangman

Before class, pick out some words that are found in Esther 5:9-14. Use words to describe Haman’s character. For example: pride, wealth, honor, anger, elevated, etc.

Use these words to allow the children to play a game of Hangman. Split your class into three groups of 5 or 6 children. Decide which child from each group will be the ones giving the words. Tell them three words from your list. The other four or five children will guess. You will have three games going on at the same time. This will allow everyone to get a turn within a short period of time. You can do this on the chalk or dry erase board, or have the children use paper.

PRAYER

Lead the children in a prayer of commitment to guard their hearts against bitterness, anger, and hatred and to be ready to forgive when they are wronged just as Christ forgave them. If there are any children who have not yet responded to the Gospel, give them opportunity.



HAMAN'S ANGER AT MORDECAI

(ESTHER 5:1-14)

MEMORY VERSE:

"He who troubles his own house will inherit the wind, and the fool will be the servant to the wise of heart." PROVERBS 11:29

FILL IN THE BLANKS:

1. "Now it happened on the third day that Esther put on her _____ robes and stood in the inner court of the king's palace, across from the king's house, while the king sat on his _____ throne in the _____ house, facing the entrance of the house." **ESTHER 5:1**

TRUE OR FALSE:

2. "So it was, when the king saw Queen Esther standing in the court, that she found favor in his sight, and the king held out to Esther the golden scepter that was in his hand." **ESTHER 5:2**
TRUE OR FALSE
3. Esther said, "If I have found favor in the sight of the king, and if it pleases the king to grant my petition and fulfill my request, then let the king and Haman come to the banquet which I will prepare for them, and tomorrow I will do as the king has said." **ESTHER 5:8**
TRUE OR FALSE
4. "So Haman went out that day joyful and with a glad heart; but when Haman saw Mordecai in the king's gate, and that he did not stand or tremble before him, he was filled with indignation against Mordecai." **ESTHER 5:9**
TRUE OR FALSE

UNDERLINE ALL OF THE CORRECT ANSWERS:

5. "Nevertheless Haman..." **ESTHER 5:10-11**
- | | |
|--|--------------------|
| * restrained himself and went home | ESTHER 5:10 |
| * sent and called for his friends | ESTHER 5:10 |
| * and his wife Mudpie | ESTHER 5:10 |
| * told of his great riches | ESTHER 5:11 |
| * the multitude of his chickens | ESTHER 5:11 |
| * all the ways which the king had promoted him | ESTHER 5:11 |
| * how he had advanced him above the officials and servants of the king | ESTHER 5:11 |

TRUE OR FALSE:

6. "Moreover Haman said, 'Besides, Queen Esther invited no one but me to come in with the king to the banquet that she prepared; and tomorrow I am again invited by her, along with the king.'" **ESTHER 5:12**
TRUE OR FALSE

CIRCLE THE CORRECT WORDS:

7. "Yet all this avails me (**NOTHING, EVERYTHING**), so long as I see Mordecai the Jew sitting at the king's gate." **ESTHER 5:13**
8. "Then his wife (**MUDPIE, ZERESH**) and all his (**ENEMIES, FRIENDS**) said to him, 'Let a gallows be made, fifty cubits high, and in the morning suggest to the king that Mordecai be hanged on it; then go merrily with the king to the banquet.' And the thing (**PLEASED, DISPLEASED**) Haman; so he had the gallows made." **ESTHER 5:14**

HAMAN'S ANGER AT MORDECAI

(ESTHER 5:1-14)

MEMORY VERSE:

"He who troubles his own house will inherit the wind, and the fool will be the servant to the wise of heart." PROVERBS 11:29

FILL IN THE BLANKS:

1. "Now it happened on the third day that Esther put on her _____ robes and stood in the inner court of the king's palace, across from the king's house, while the king sat on his _____ throne in the _____ house, facing the entrance of the house." **ESTHER 5:1**
2. "So it was, when the king saw Queen Esther standing in the court, that she found _____ in his sight, and the king held out to Esther the _____ that was in his hand." **ESTHER 5:2**
3. Esther said, "If I have found favor in the sight of the king, and if it pleases the king to grant my petition and fulfill my request, then let the king and Haman come to the _____ which I will prepare for them, and tomorrow I will do as the king has said." **ESTHER 5:8**

TRUE OR FALSE:

4. "So Haman went out that day joyful and with a glad heart; but when Haman saw Mordecai in the king's gate, and that he did not stand or tremble before him, he was filled with indignation against Mordecai." **ESTHER 5:9**

TRUE OR FALSE

UNDERLINE ALL OF THE CORRECT ANSWERS:

5. "Nevertheless Haman..." **ESTHER 5:10-11**
 - * restrained himself and went home **ESTHER 5:10**
 - * sent and called for his friends **ESTHER 5:10**
 - * and his wife Mudpie **ESTHER 5:10**
 - * told of his great riches **ESTHER 5:11**
 - * the multitude of his chickens **ESTHER 5:11**
 - * all the ways which the king had promoted him **ESTHER 5:11**
 - * how he had advanced him above the officials and servants of the king **ESTHER 5:11**

TRUE OR FALSE:

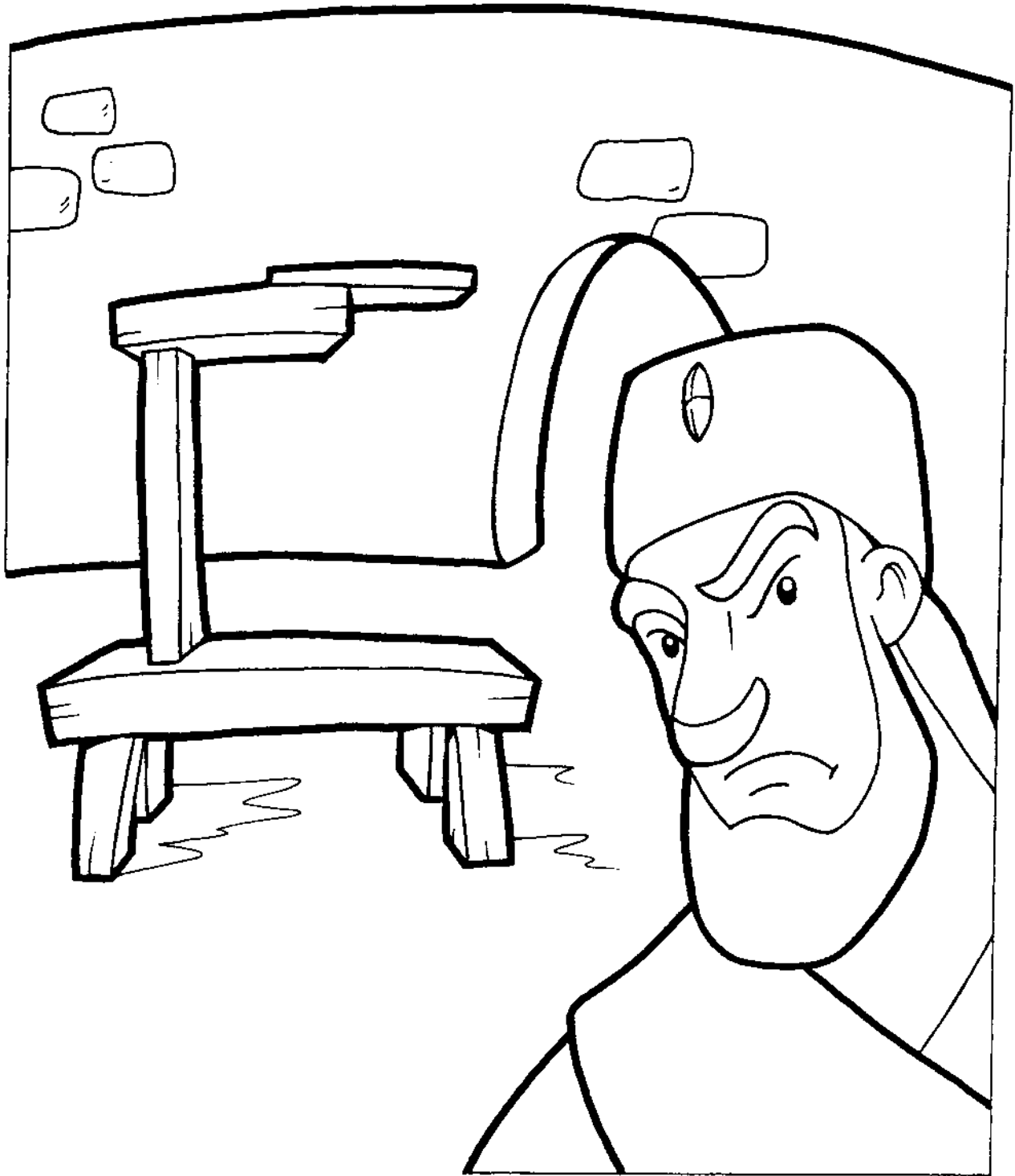
6. "Moreover Haman said, 'Besides, Queen Esther invited no one but me to come in with the king to the banquet that she prepared; and tomorrow I am again invited by her, along with the king.'" **ESTHER 5:12**

TRUE OR FALSE

FILL IN THE BLANKS:

7. "Yet all this avails me _____, so long as I see Mordecai the Jew sitting at the king's gate." **ESTHER 5:13**
8. "Then his wife _____ and all his _____ said to him, 'Let a gallows be made, fifty cubits high, and in the morning suggest to the king that Mordecai be hanged on it; then go merrily with the king to the banquet.' And the thing pleased Haman; so he had the _____ made." **ESTHER 5:14**

HAMAN'S ANGER AT MORDECAI (ESTHER 5:1-14)



"Then said Zeresh his wife and all his friends unto him, Let a gallows be made of fifty cubits high, and to morrow speak thou unto the king that Mordecai may be hanged thereon: then go thou in merrily with the king unto the banquet. And the thing pleased Haman; and he caused the gallows to be made."

ESTHER 5:14

HAMAN'S ANGER AT MORDECAI

(ESTHER 5:1-14)

O X B O I I F R L B M K A I X
 A R O V A F O H J J J M U S I
 P S H T S Y O X G H H A M A N
 A E J E A B E M O R D E C A I
 Z J B L H R P V L T Q L V G Z
 E O Y W J W K S D E N O R H T
 R R E Q U E S T E J T U A J F
 E M K N D G J U N Y R G E P Z
 S G P O U T F R S R A C S Z T
 H O G I O K Y E C D E V W F E
 D V K T L W S H E C H U O B U
 Y S G I O T T U P G L B L L Q
 S P P T H I W Q T S J N L K N
 M T S E U U U T E Q T H A M A
 U W R P I M G P R U W X G Z B

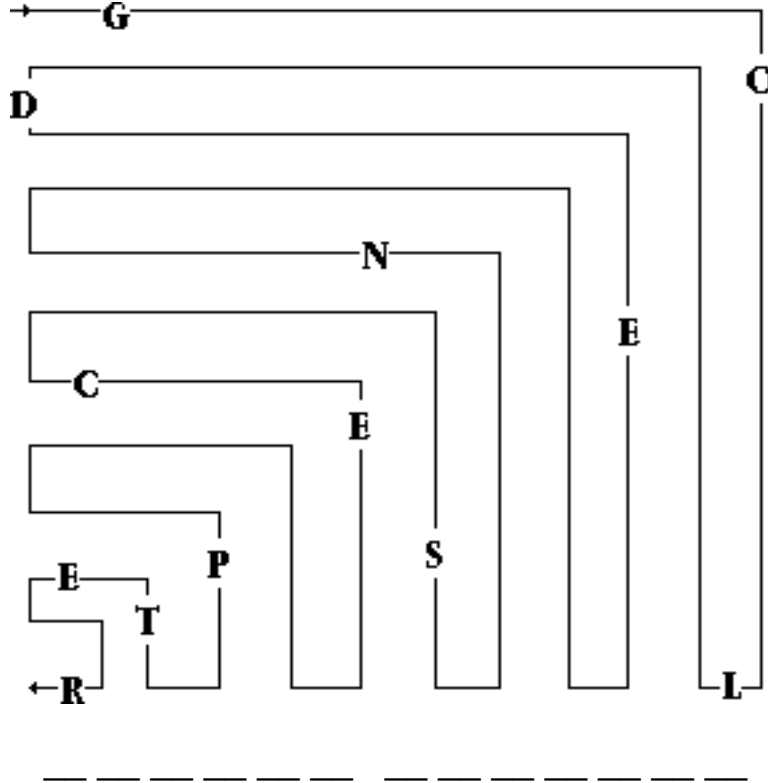
BANQUET
 ESTHER
 FAVOR
 GALLOWS

GOLDEN SCEPTER
 HAMAN
 HEART
 MORDECAI

PETITION
 REQUEST
 ROBES

ROYAL
 THRONE
 ZERESH

FOLLOW THE LINE AND WRITE DOWN THE LETTERS AS YOU COME TO THEM



HAMAN'S ANGER AT MORDECAI (ESTHER 5:1-14)

T Z D K E P Y M J U G U L Z J V E E Q D
 B T S E U Q E R H F Z K B Y C M W P K J
 I U E K J I Y X G I J F T Y V F E T L I
 A A P Q Z Q O S E T P R L E T S B C W P
 M H E A R T F V U G N I A O U W K S K T
 X N N O I T I T E P U E C J W Q S C I V
 T M Z J Z D V O W Y O N W F H U N H J R
 Y G C B K J X J D P F D J A A D U A S F
 L F C B C Q S J I Y L S U H M S H U B E
 Z H Q R T R V A W B L C K A A J P E U J
 E A I B I I C E Y D M U O H N H E C E O
 R R E T P E C S N E D L O G H S V E A U
 E W W K D R O V A F S M I Z P W N N V G
 S N R R O L M A P R Z D T Y J O A Q D F
 H P O E T S A W Z C F L E N R L R L Q P
 I M B F A T Z L W G P S J H H L L K E D
 Q U E E N E S T H E R V T J Q A W D N B
 O E S J N F S Z B R G R K T O G J D R K
 V S L A Y O R N M G R C N P A Q U O Y K
 Q G Z T R A H P W N B M P L W O O K Y A

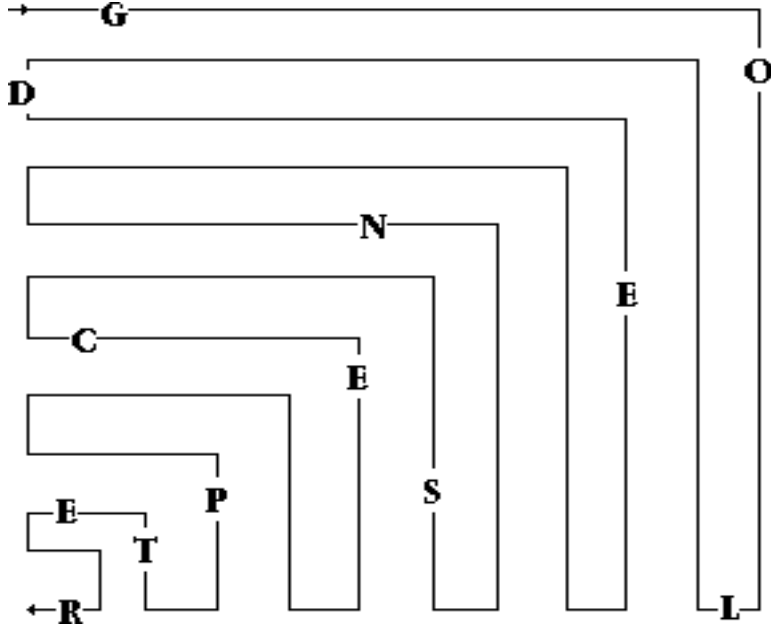
BANQUET
 FAVOR
 FRIENDS
 GALLOWS

GOLDEN SCEPTER
 HAMAN
 HEART
 MORDECAI

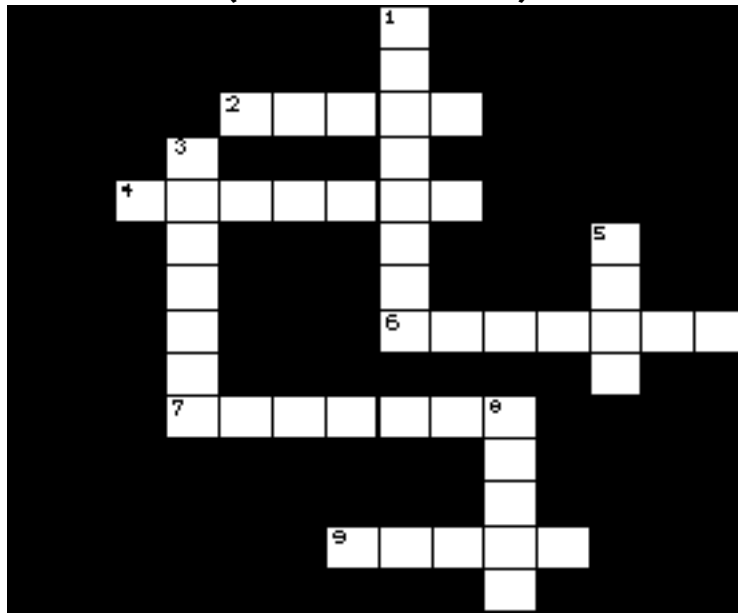
PETITION
 QUEEN ESTHER
 REQUEST
 ROBES

ROYAL
 THRONE
 ZERESH

FOLLOW THE LINE AND WRITE DOWN THE LETTERS AS YOU COME TO THEM



HAMAN'S ANGER AT MORDECAI (ESTHER 5:1-14)



- 2 ACROSS "He who troubles his own house will inherit the wind, and the fool will be the servant to the wise of ____." **PROVERBS 11:29**
- 8 DOWN "Now it happened on the third day that Esther put on her ____ robes and stood in the inner court of the king's palace, across from the king's house, while the king sat on his royal throne in the royal house, facing the entrance of the house." **ESTHER 5:1**
- 7 ACROSS "So it was, when the king saw Queen Esther standing in the court, that she found favor in his sight, and the king held out to Esther the golden ____ that was in his hand." **ESTHER 5:2**
- 4 ACROSS Esther said, "If I have found favor in the sight of the king, and if it pleases the king to grant my petition and fulfill my request, then let the king and Haman come to the ____ which I will prepare for them, and tomorrow I will do as the king has said." **ESTHER 5:8**
- 1 DOWN "So Haman went out that day joyful and with a glad heart; but when Haman saw ____ in the king's gate, and that he did not stand or tremble before him, he was filled with indignation against Mordecai." **ESTHER 5:9**
- 9 ACROSS "Nevertheless ____ restrained himself and went home, sent and called for his friends and his wife Zeresh." **ESTHER 5:10**
- 6 ACROSS "Moreover Haman said, 'Besides, Queen Esther invited no one but me to come in with the king to the banquet that she prepared; and tomorrow I am again ____ by her, along with the king.'" **ESTHER 5:12**
- 5 DOWN "Yet all this avails me nothing, so long as I see Mordecai the Jew sitting at the king's ____." **ESTHER 5:13**
- 3 DOWN "Then his wife Zeresh and all his friends said to him, 'Let a gallows be made, fifty cubits high, and in the morning suggest to the king that Mordecai be hanged on it; then go merrily with the king to the banquet.' And the thing pleased Haman; so he had the ____ made." **ESTHER 5:14**